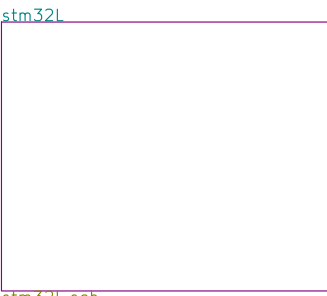
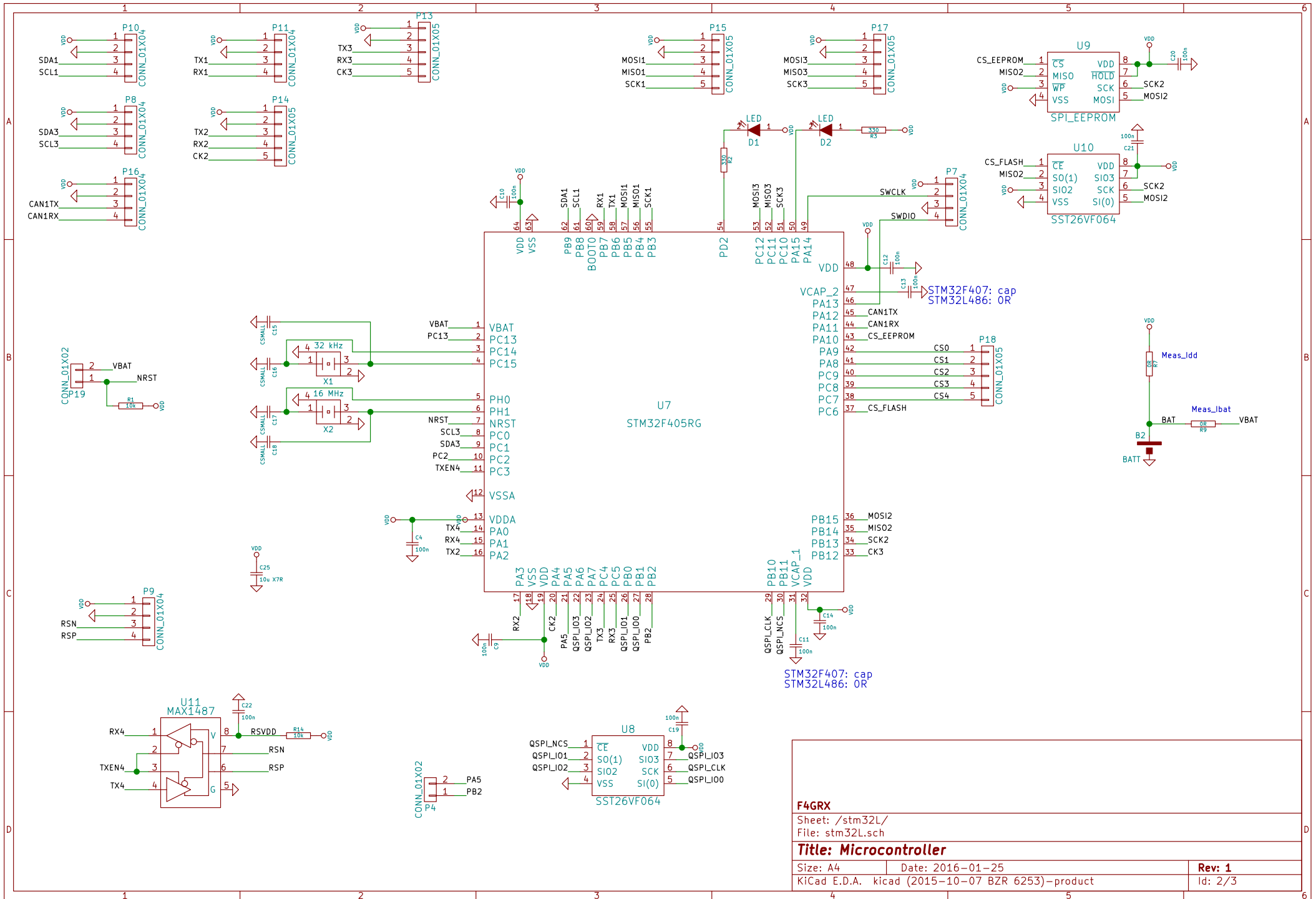


stm32\_peripherals.sch



stm32L.sch

<b>F4GRX</b>	
Sheet: /	
File: tbmodules.sch	
<b>Title: Radios</b>	
Size: A4	Date: 2016-01-25
KiCad E.D.A. kicad (2015-10-07 BZR 6253)-product	Rev: 1
	Id: 1/3



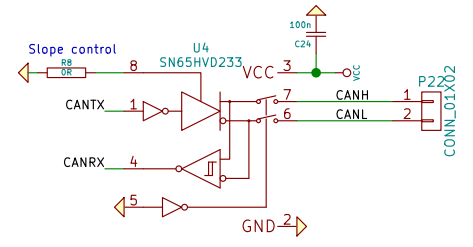
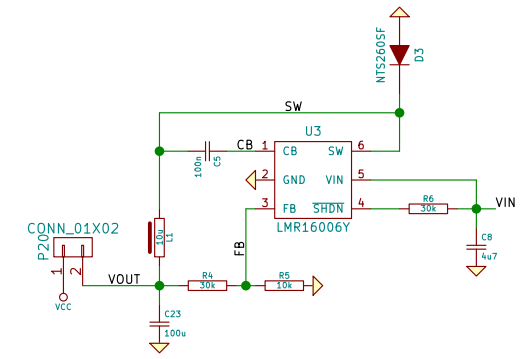
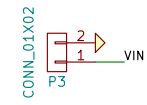
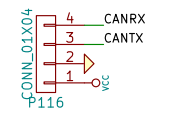
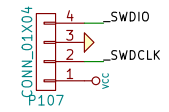
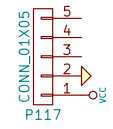
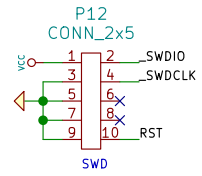
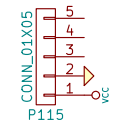
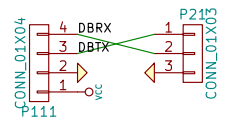
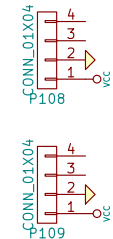
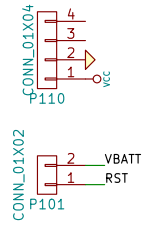
**F4GRX**

Sheet: /stm32L/  
File: stm32L.sch

**Title: Microcontroller**

Size: A4 Date: 2016-01-25  
KiCad E.D.A. kicad (2015-10-07 BZR 6253)-product

Rev: 1  
Id: 2/3



<b>F4GRX</b>	
Sheet: /peripherals/ File: stm32_peripherals.sch	
<b>Title: Peripherals / Debug</b>	
Size: A4	Date: 2016-01-25
KiCad E.D.A. kicad (2015-10-07 BZR 6253)-product	Rev: 1 Id: 3/3