

Service Manual

AETZ • GRAF STRACHWITZ • GRUNDIG • GRUNDIG ELEKTRONIC • H
AMEG • HA • HALL • HECHT • HENNEL • HGS • HITACHI • IS • ITT • JESK
O • JVC • K
LUX • LUXMANN • MARA • MARANTE • MATSUSHITA • METZ • MITSU
BISHI • NAK
NAL PANASONIC • NEC • NECKERMAN
N • NIKKO • NÖRDMERKE • ONKYO • ORBITER • ORION • PALADIU
M • PANAS
NEER • PORTY • RANIK • REICO • REY • ROSTAR • ROSITA • ROTEL • SA
BA • SALORA • SAMSUNG • SANKEI • SANSUI • SANWA • SANYO • S
CHNEIDER • S
LÖBENHEISER • SHARP • SIEMENS • SILVER
• SONY • S
MOTOR ALLEE 80
E-1000 Berlin 47
TELEFON 0 30 / 7 03 60 80
TELEX 184 730
BTX * 380 310 000 140 #
TELEFON 0 30 / 7 03 60 77

1040STE

PERSONAL COMPUTER

PREISGRUPPE 25
FACH P 1560

ITEM PART-NUMBER	REV	DESCRIPTION	UM	QTY	REQD	LOCATION	REMARK	TY	ATMC	ECN
001 002										
*** **										
1	CA070023-009	G	CABLE ASSY 4P 230MM	EA	1	1		J302		4 2635
2	CA070024	A	CABLE FLAT ASSY 34P	EA	1	1		J303		4 2635
3	C070335	B	BANDAGE PLATE	EA	1	1				4 2635
4	30-002-02	1	HI-QUA'Y ADHESIVE GLUE DBT=20G BT	AR	AR		AR=	.050		4 2635
5	30-003	---	HOT MELT GLUE	%K	AR	AR	AR=	.120		4 2635
6	30-007	0	THINNER KESTER #4662	%L	AR	AR	AR=	1.416		4 2635
7	30-008	0	FLUX KESTER #2331	%L	AR	AR	AR=	1.069		4 2635
8	10-9009		SOLDER BAR 60/40	%K	AR	AR	AR=	5.895		4 2635
9	10-9069	ND	SOLDER WIRE	%K	AR	AR	AR=	.282		4 2635
10	SD400329-001		AI BOARD STE W/O MODULATOR	EA	1	1				1 2635
11	C025993	B	CRYSTAL 2.4576 MHZ	EA	1	1		Y200		4 2635
12	C398065-001		CONN PHONO RIGHT ANGLE	EA	2	2		J502,503		4 2635
13	C398066-001	1	OSC 8.010613MHZ	EA	1	1		U303		4 2635
14	C398068-001	1	OSC 32.215905MHZ	EA	1			U402		4 2659
15	C398097-001		OSC 32.084988MHZ	EA		1		U402		4 2635
16	C019748	2	IC 555 TIMER 8P	EA	1	1		U104		4 2635
17	C025913	B	IC DMA CONTL CUSTOM 40P	EA	1	1		U300		4 2635
18	C025983	A	IC YM-2149 SOUND 40P	EA	1	1		U202		4 2635
19	C025984	A	IC 68901 MFP 48P	EA	1	1		U203		4 2635
20	C025985	A	IC 6850 ACIA 24P	EA	2	2		U200,201		4 2635
21	C025986	B	IC MC1488 RS232C DRIVER 14P	EA	1	1		U206		4 2635
22	C025988	B	IC PC900 PHOTOCOUPLER 6P	EA	1	1		U208		4 2635
23	C025989	A	IC LM556 DUAL PRECISION 14P	EA	2	2		U513,514		4 2635
24	C026028-002	C	IC 1772 FDD CONTROLLER 28P	EA	1	1		U301		4 2635



BILL OF MATERIAL (HAVE LOCATION)

DATE: 9/09/89 TIME:15:47:51 PAGE: 2 ENR072

NO: CA400329-0XX DESC: PCB SUB ASSY STE W/O MODULATOR

ECN C/O: 2659 ATMC REV NO: 5 WORLD REV NO: 14

λ PART-NUMBER	REV	DESCRIPTION	UM	QTY	REQD	LOCATION	REMARK	TY	ATMC
				001	002				ECN
=====									
25	C070447	A IC TL497A SW REGULATO	EA	2	2	U204,205		4	2635
26	C101609-006	IC 7406 HEX BUFFER OPEN COLL	EA	2	2	U210.305		4	2635
27	C101610-257	IC 74S257	EA	1	1	U405		4	2635
28	C101611-004	IC 74LS04 DUAL D FLIP FLOP	EA	1	1	U211		4	2635
29	C101611-074	IC 74LS74 DUAL 0 FLIP FLOP	EA	2	2	U304,306		4	2635
30	C101611-086	IC 74LS86 QUAD 2 LIN SOR GATE	EA	1	1	U209		4	2635
31	C101611-164	IC 74LS164 SHIF.REGIS. PA66YB.	EA	1	1	U211		4	2659
32	C101611-244	1 IC 74LS244 OCTAL TRI-STATE 20P	EA	5	5	U307,509,510,512.632		4	2635
33	C101611-245	1 IC 74LS245 OCTAL TRANC. 20P	EA	1	1	U302		4	2635
34	C101611-373	1 IC 74LS373 OCTAL 20P	EA	1	1	U511		4	2635
35	C101643	A IC ST BLITTER CUSTOM 60PIN	EA	1	1	U101		4	2635
36	C101739-001	A IC 1489A RS-232C RECEIVER 14P	EA	1	1	U207		4	2635
37	C300259-374	IC 74F374 OCTAL D FLIP FLOP18P	EA	2	2	U500,501		4	2635
38	C300588-001	IC STESAFTR	EA	1	1	U401		4	2635
39	C398055-001	IC LF347	EA	2	2	U504,507		4	2635
40	C398056-001	IC MF4-100	EA	2	2	U505,506		4	2635
41	C398057-001	IC DAC0802	EA	2	2	U502,503		4	2635
42	C398058-001	IC LNC1992	EA	1	1	U508		4	2635
43	C398061-001	IC 68000 PLCC	EA	1	1	U100		4	2635
44	C070734-002	A REGULATOR LM78L82	EA	1	1	R544		4	2659
45	34-2N3904	C TRANS. 2N3904	EA	5	5	0400 403,406		4	2635
46	C060629	A RES 0 OHM JUMPER	EA	2	2	W102,104		4	2635
47	C070159-006	B RES 4.7K OHM NET SIP 9P DUS	EA	7	7	P101-103,500-502		4	2635



ITEM PART-NUMBER	REV	DESCRIPTION	UM	QTY REQD	LOCATION	REMARK	TY	ATMC	ECN
BILL OF MATERIAL (HAVE LOCATION) DATE: 9/08/89 TIME:15:47:51 PAGE: 3 ENR072 ECN C/O: 2659 ATMC REV NO: 5 WORLD REV NO: 14									
68	C070448	B RES 10K OHM NET SIP 9P	EA	3 3	P104,105,600		4	2635	
49	C070738-006	A RES NET 2.2KOHM 5% 9P	EA	1 1	P100		4	2635	
50	C070157-008	A CAP 470UF 16V ELEC RADIAL	EA	1 1	C216		4	2635	
51	C070450-001	B CAP ELEC 4.7UF 25V AX NPO	EA	4 4	C202,204,205,215		4	2635	
52	C070450-002	B CAP 10UF 35V 20% ELECT AX	EA	3 3	C100,536,542		4	2635	
53	C070499-001	B CAP ELEC 22UF +-20% 16V AX	EA	1 1	C102		4	2635	
54	C070499-003	B CAP ELEC AX 47UF 16V	EA	11 11	C508,520,525,529,535,537,541		4	2635	
55	C070499-004	B CAP ELEC 100UF 16V AX	EA	6 6	C543,544,546,547		4	2635	
56	C101205-472/B	CAP ELEC 4700UF 16V AX	EA	1 1	C107,110,600,558,561,564		4	2635	
57	C398118-001	CAP ELEC 47UF 16V 20% RA	EA	2 2	C103		4	2635	
58	C398121-001	CAP ELEC 47UF 16V 20% RA	EA	1 1	C566,567		4	2635	
59	C070741-007	D CAP RADIAL 680PF 50V +-5%	EA	4 4	C416		4	2635	
60	C101404-002	C NOISE FILER	EA	67 67	C526,532,539,548		4	2635	
	C101403-102	NOISE FILTER(TDK)	"ALT"		L200 202,204 207,209 227,511 527			2512	
	C070241-002	NOISE FILTER ZJS5101-02	"ALT"		L300 311,404 409,504 509			2512	
	C100091-002	NOISE FILTER DSS306-55B 102M	"ALT"					2512	
	C101403-002	NOISE FILTER PC4X 14MH 3PIN	"ALT"					2512	
61	C070119	A PUSH SW.SPJ312U	EA	1 1	S100		4	2635	
62	C014386-13	G SOCKET UC IUO 32 POS	EA	2 2	U102,103		4	2635	
63	C070120-002	B SOCKET 68 PIN (PLCC)	EA	2 2	U100,101		4	2635	
64	C070718	A PLCC STOPPER	EA	2 2			4	2635	
65	C100384-001	A 84 PIN SOCKET	EA	1 1	U401		4	2635	
66	C398063-001	IC SOCKET 30 POS SIHM	EA	4 4	U600-603		4	2635	
67	C070033	B CONN DIN 5P MIDEI	EA	2 2	J200,201		4	2635	
68	C070129	B CONN 40P RIGHT ANGLE	EA	1 1	J103		4	2635	
69	C070130-002	C CONN DB19S HARD DISK HOOK TYPE	EA	1 1	J301		4	2635	



BILL OF MATERIAL (HAVE LOCATION!)

DATE: 9/09/89 TIME:15:47:51 PAGE: 4 EMR072

JSY NO: CA400329-DXX

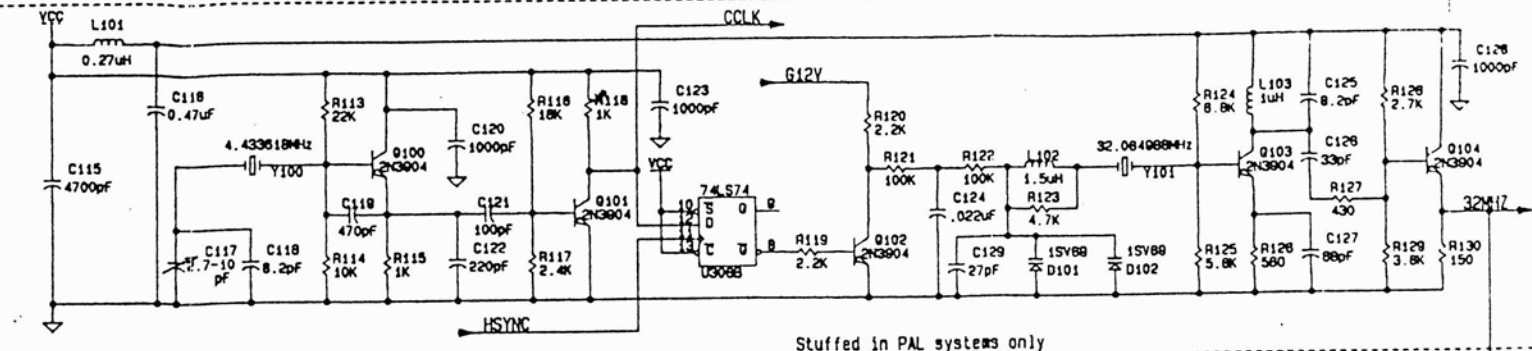
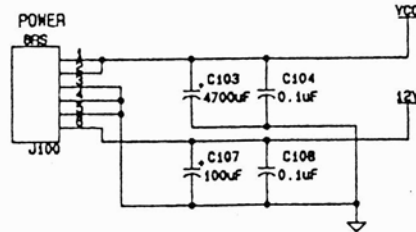
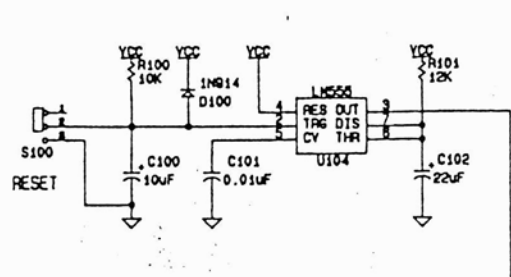
DESC: FCB SUB ASSY STE W/O MODULATOR

ECN C/O: 2659 ATMC REV NO: 5 WORLD REV NO: 14

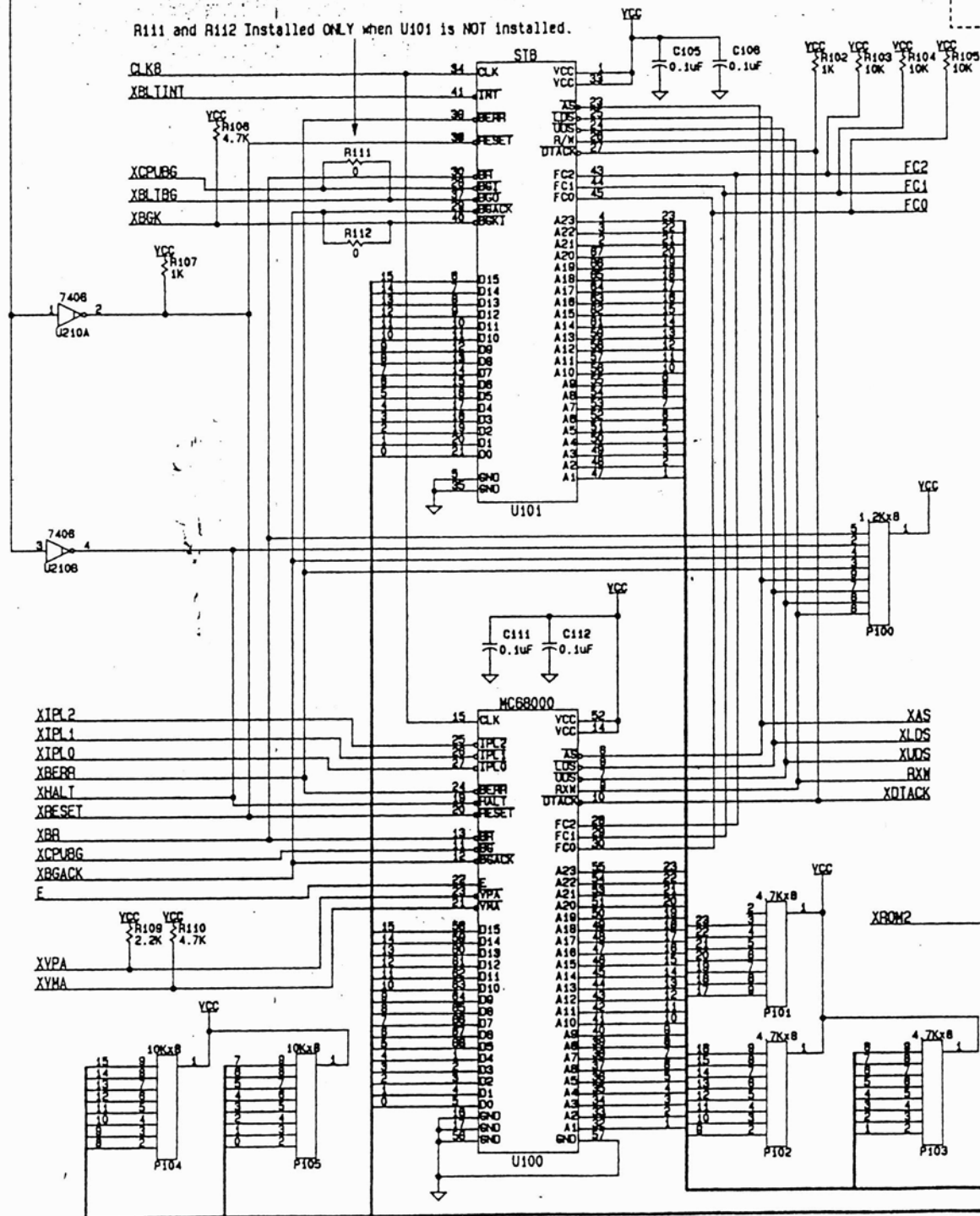
ITEM PART-NUMBER	REV	DESCRIPTION	UM	QTY	REQD	LOCATION	REMARK	TY	ATMC	ECN
			UM	001	002					
70	C070131	B CONN DIN FLOPPY DISK 14P	EA	1	1	J304				4 2635
71	C070132-002	C CONN DB-25P RS232C HOOK TYPE	EA	1	1	J204				4 2635
72	C070133-002	C CONN D-25B FEMALE RT-ANGLE 25P	EA	1	1	J203				4 2635
73	C070134	A CONN 13P DIN VIDEO	EA	1	1	J400				4 2635
74	C070445	A CONN SINGLE INLINE 6P	EA	1	1	J100				4 2635
75	C070446	A CONN SINGLE INLINE 9P	EA	1	1	J202				4 2635
76	C398064-001	CONN D-SUB 15P 3 ROW FEMALE	EA	2	2	J500.501				4 2635

-- END --





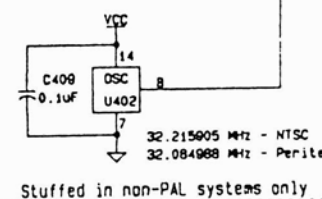
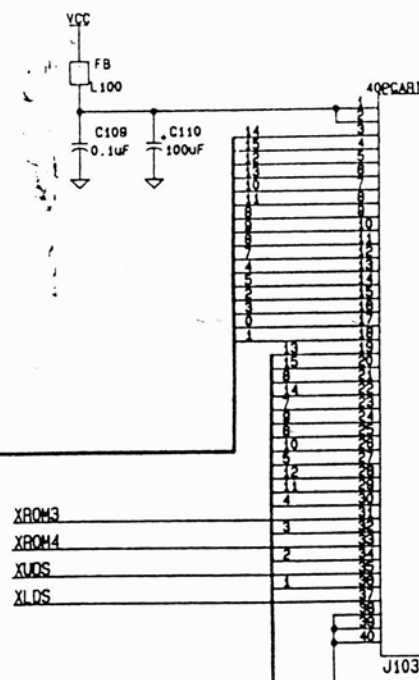
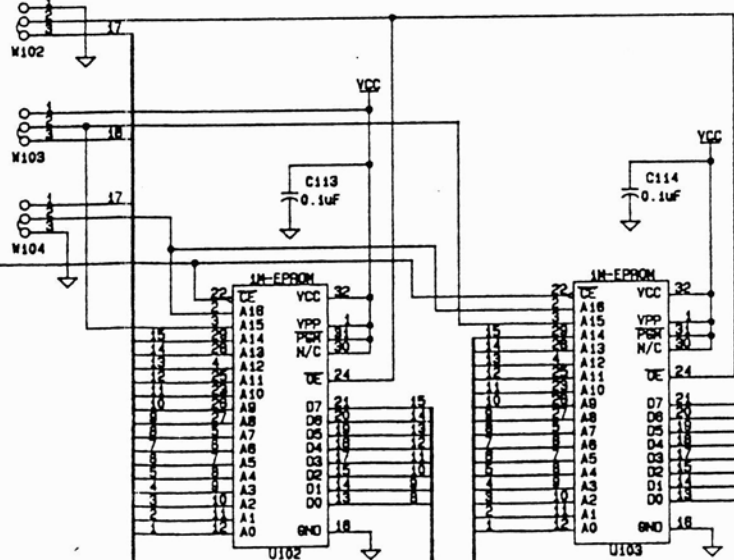
R111 and R112 Installed ONLY when U101 is NOT installed.



ROM jumper settings

Part Type	W102	W103	W104
27256	Don't Care	1 and 2	N/C
27512	2 and 3	2 and 3	N/C
571001/27C1000/531000	2 and 3	2 and 3	2 and 3
27010/571000/27C1001	1 and 2	2 and 3	1 and 2

Note: Jumpers are shown set for 1Meg Rom
(See default settings below)



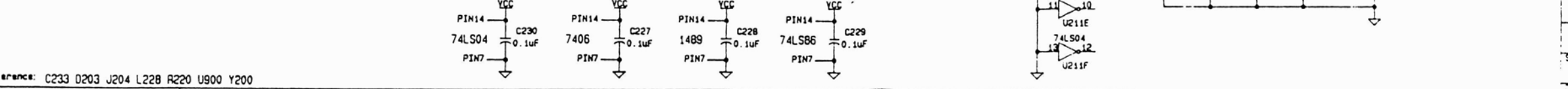
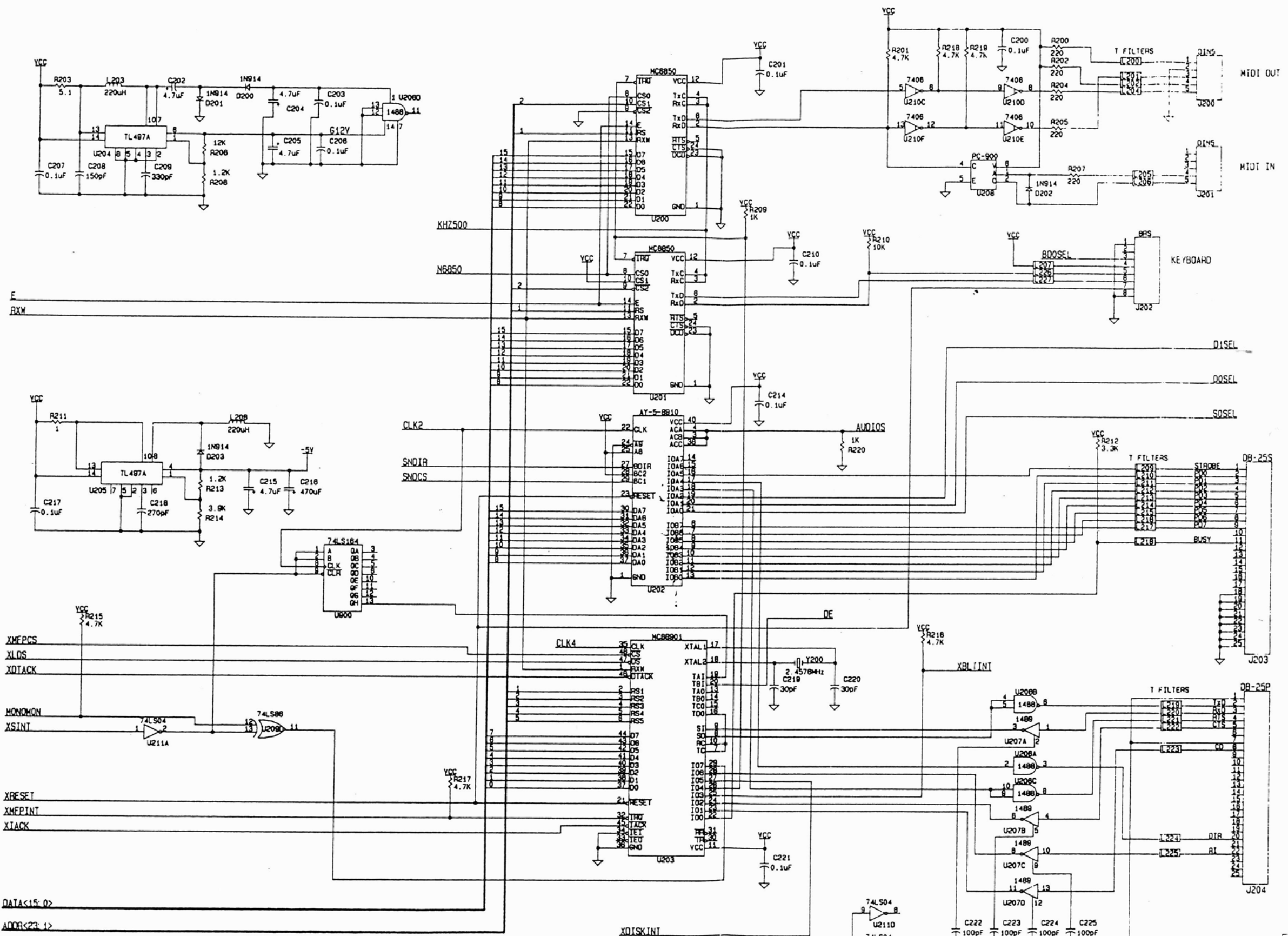
Stuffed in non-PAL systems only

Atari Corporation
1188 Borregas Ave. Sunnyvale, CA 94086

Ste

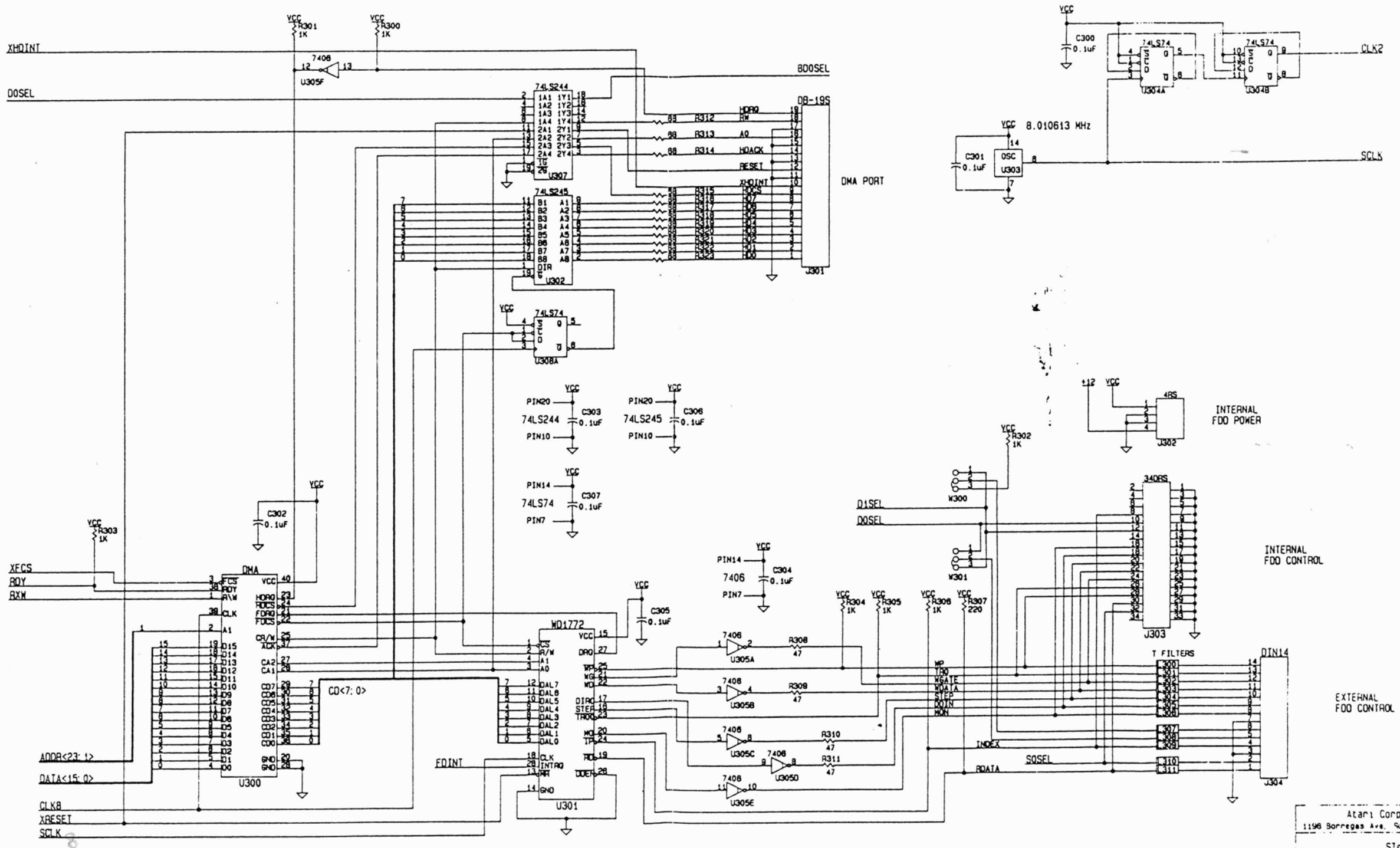
SIZE CODE C300780-001 REVISION 1
D ENGINEER D. Renn

DATE October 3, 1989 SHEET 1 of 5



Last Reference: C233 D203 J204 L228 R220 U900 Y200

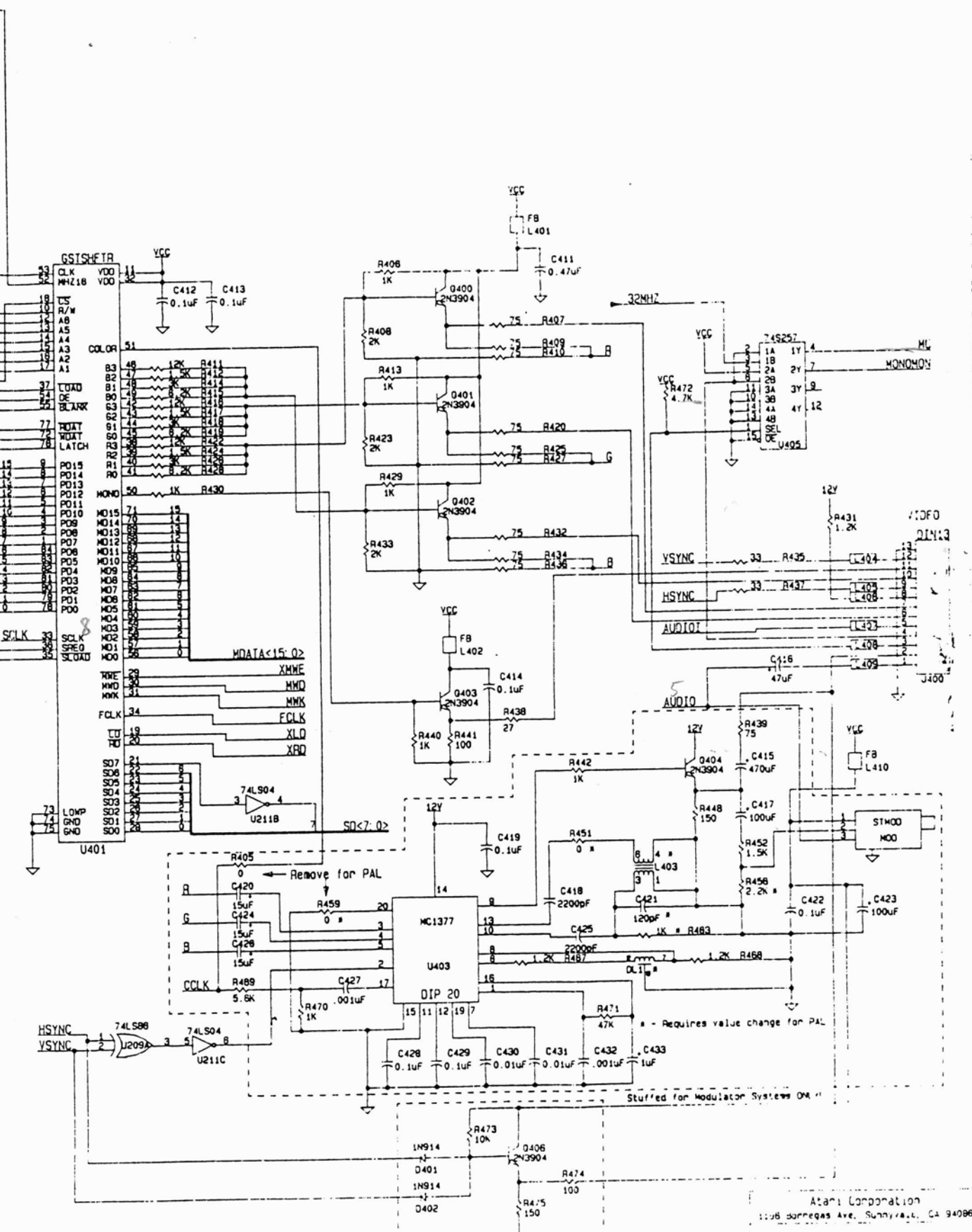
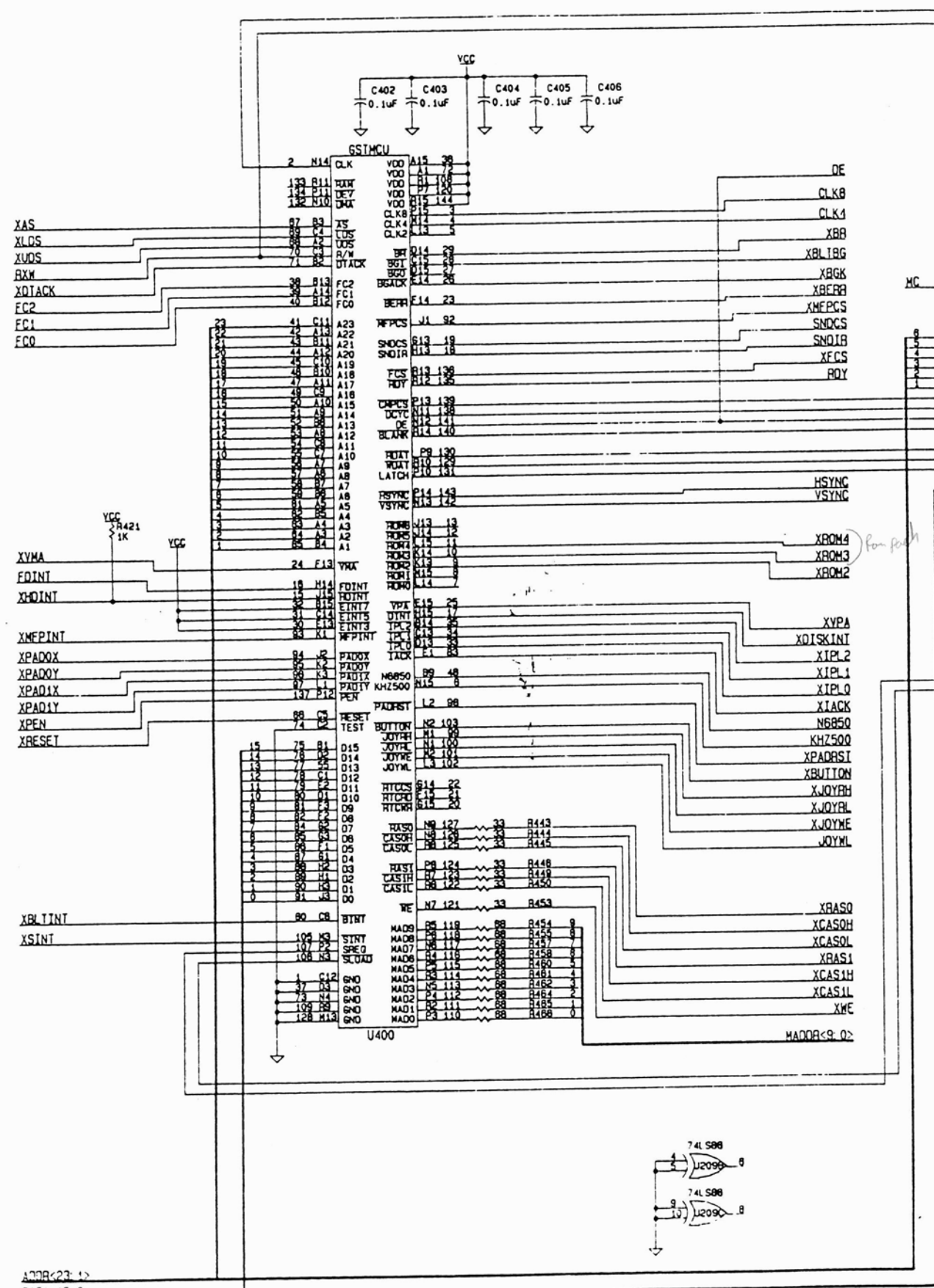
Atari Corporation
 1196 Borregas Ave. Sunnyvale, CA 95088
 516
 STATE COORD: (300) 80-001
 DATE: 03/08/80



Last Reference: C312 D301 J305 L311 Q301 R328 U309 W301 Y300

Atari Corporation
 1196 Borregas Ave. Sunnyvale, CA 94086
 Ste
 S177 2206 C300780-00
 D ENGINEER D Henn
 DATE October 3 1989

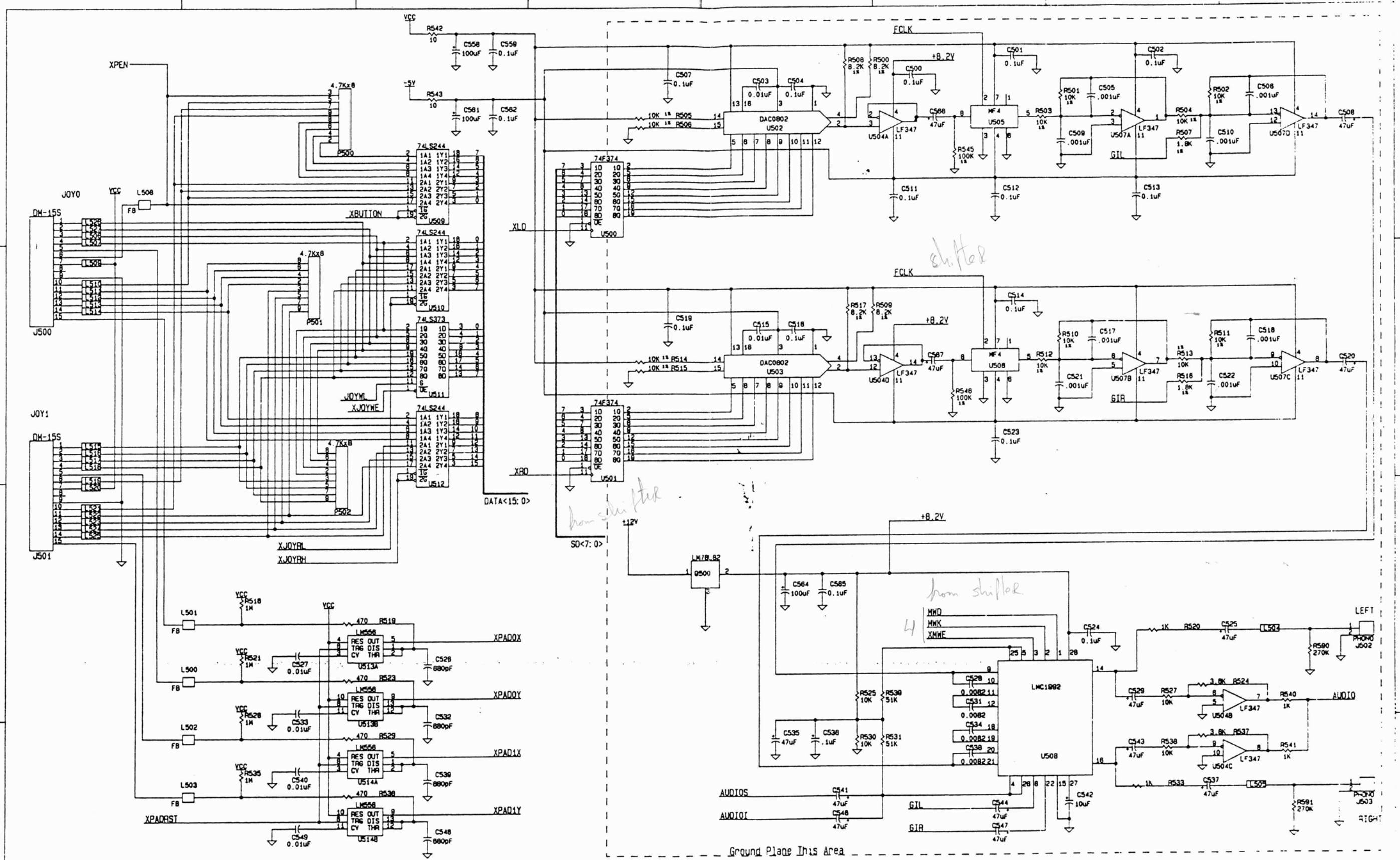
3



ADDR<23:12>
DATA<15:0>

Atari Corporation
1108 Bannockburn Ave., Sunnyvale, CA 94086

Stuffed in NON-Modulator Versions ONLY
DATE 12/19/83

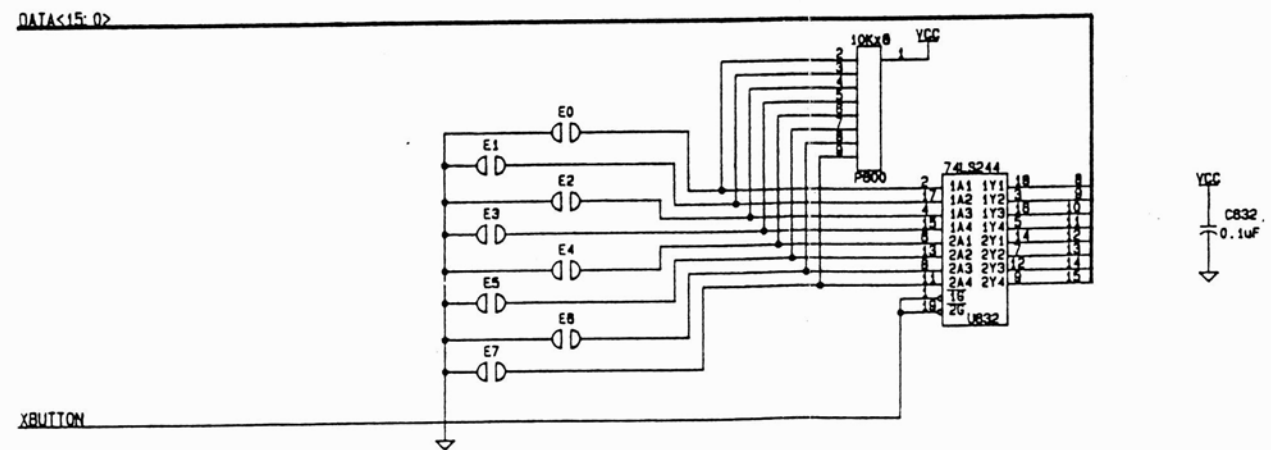
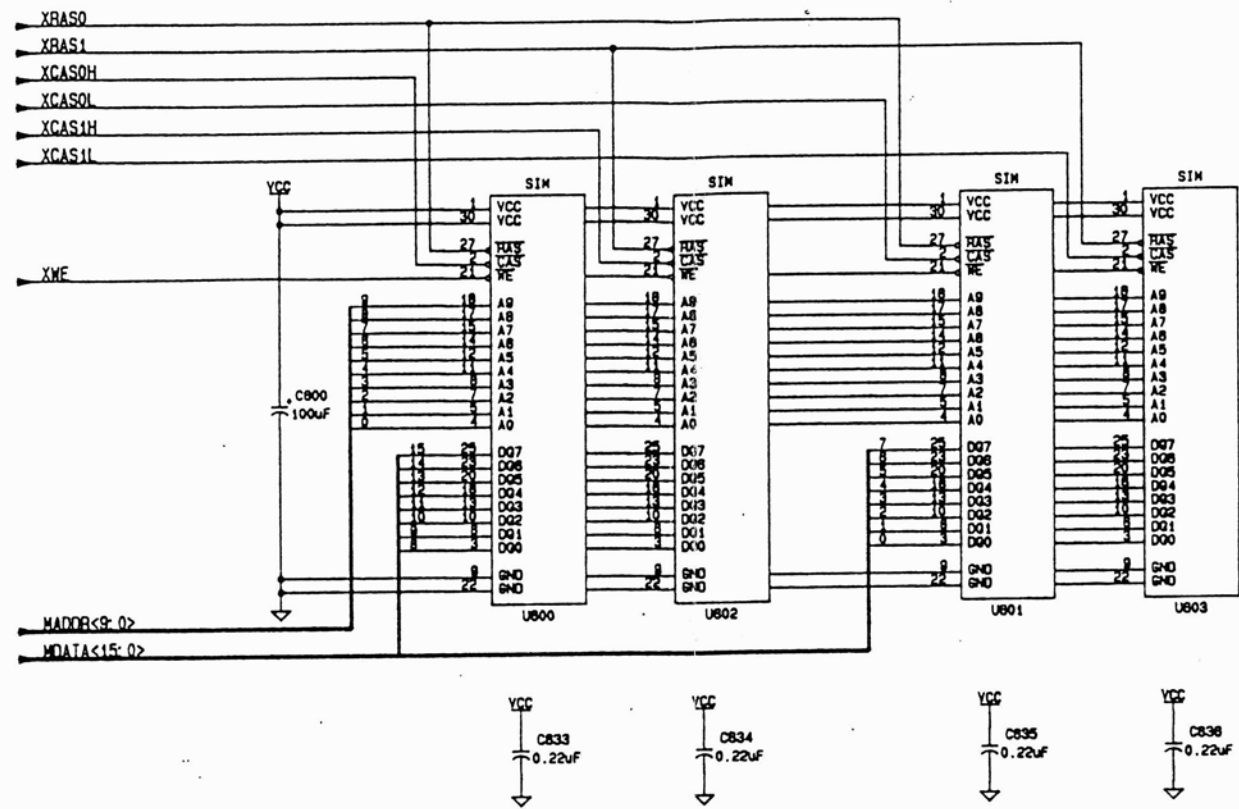


- VCC
C550
0.1uF
- VCC
C551
0.1uF
- VCC
C552
0.1uF
- VCC
C553
0.1uF
- VCC
C554
0.1uF
- VCC
C555
0.1uF
- VCC
C556
0.1uF
- VCC
C557
0.1uF

Last Reference: C565 U503 L527 P502 R591 U514 Q500

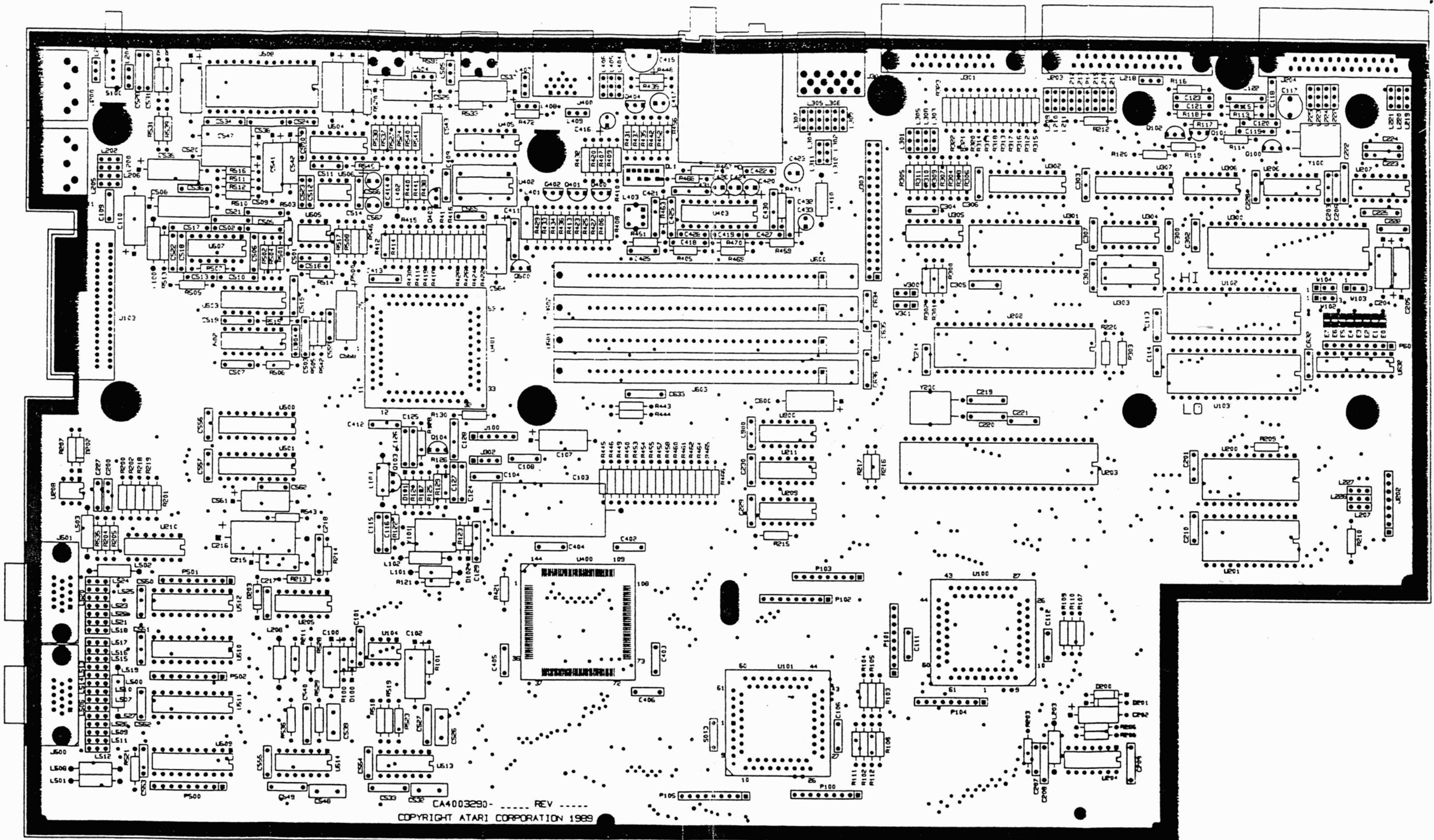
Atari Corporation	
1196 Borregas Ave. Sunnyvale, CA 94086	
S7e	
SIZE CODE	C300780-001
ENGINEER	J Rem
DATE	October 3, 1989
SHEET	5 of 6

5




Last Reference: C636 J600 P600 R602 U632 M607

Atari Corporation			
1196 Borregas Ave. Sunnyvale, CA 94086			
Site			
SIZE	CODE	0300780-001	REV
0		ENGINEER D. Penn	1
DATE	DESIGNED	1 1989	DATE



CA400329- REV
 COPYRIGHT ATARI CORPORATION 1989

UNLESS OTHERWISE SPECIFIED TOLERANCE		DRAWN BY	DATE	 ATARI CORPORATION	
		<i>S. Simpson</i>	12/7/89		
MIN LEAD DIMENSIONS	MAX LEAD DIMENSIONS	CHECKED	DATE	TITLE ASSY SUB PCB 1040 STE W/MODULATOR	
UNDER CUT		ENGINEER	DATE		
MATERIAL		APPROVED	DATE	SIZE	DRAWING NO
		APPROVED	DATE	D	CA400329-1XX
APPLICATION				SCALE	SHEET 5 OF 5
					REV 6

1040 AND 1050 SYSTEM DIMENSION mm

