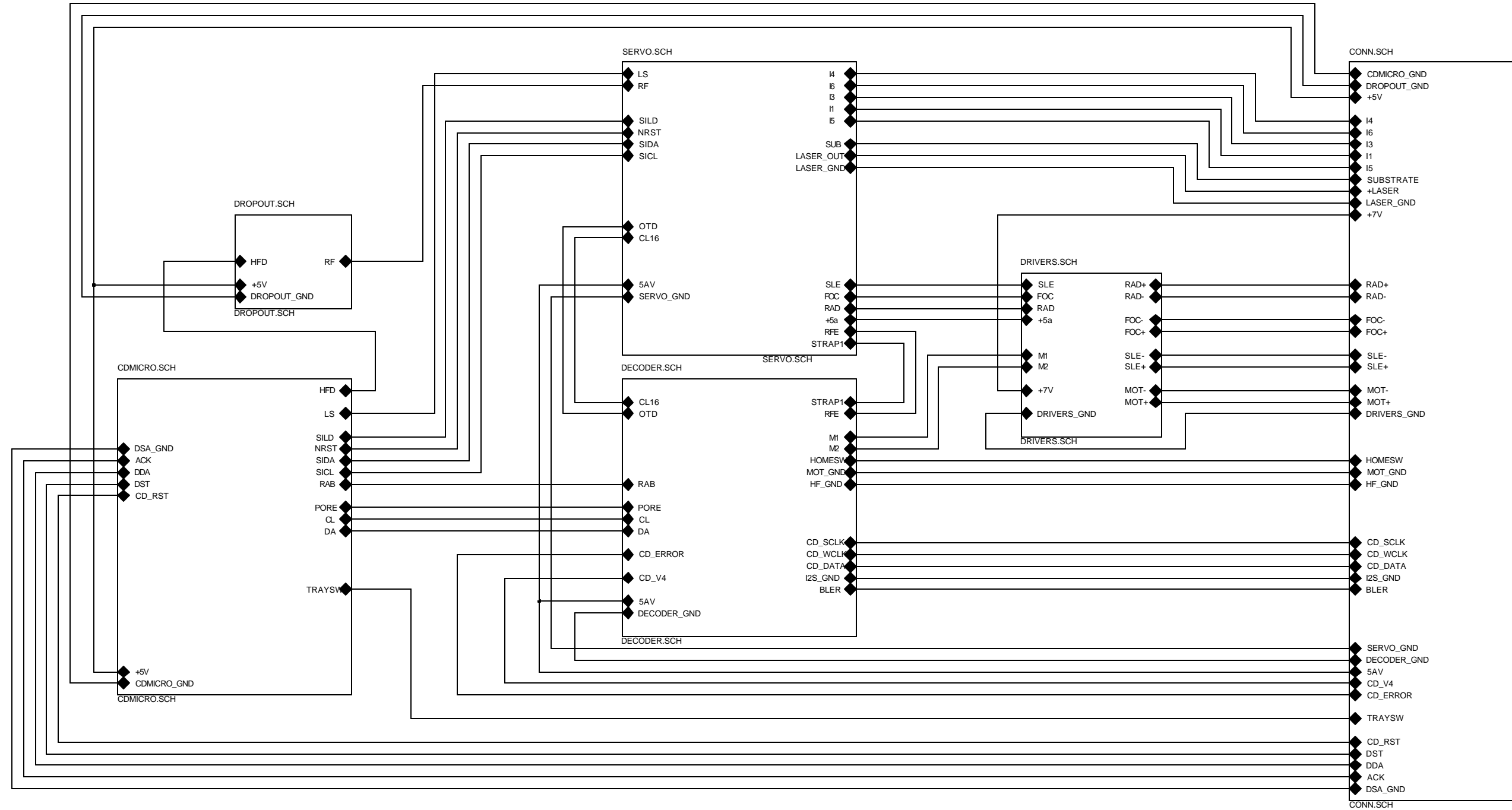
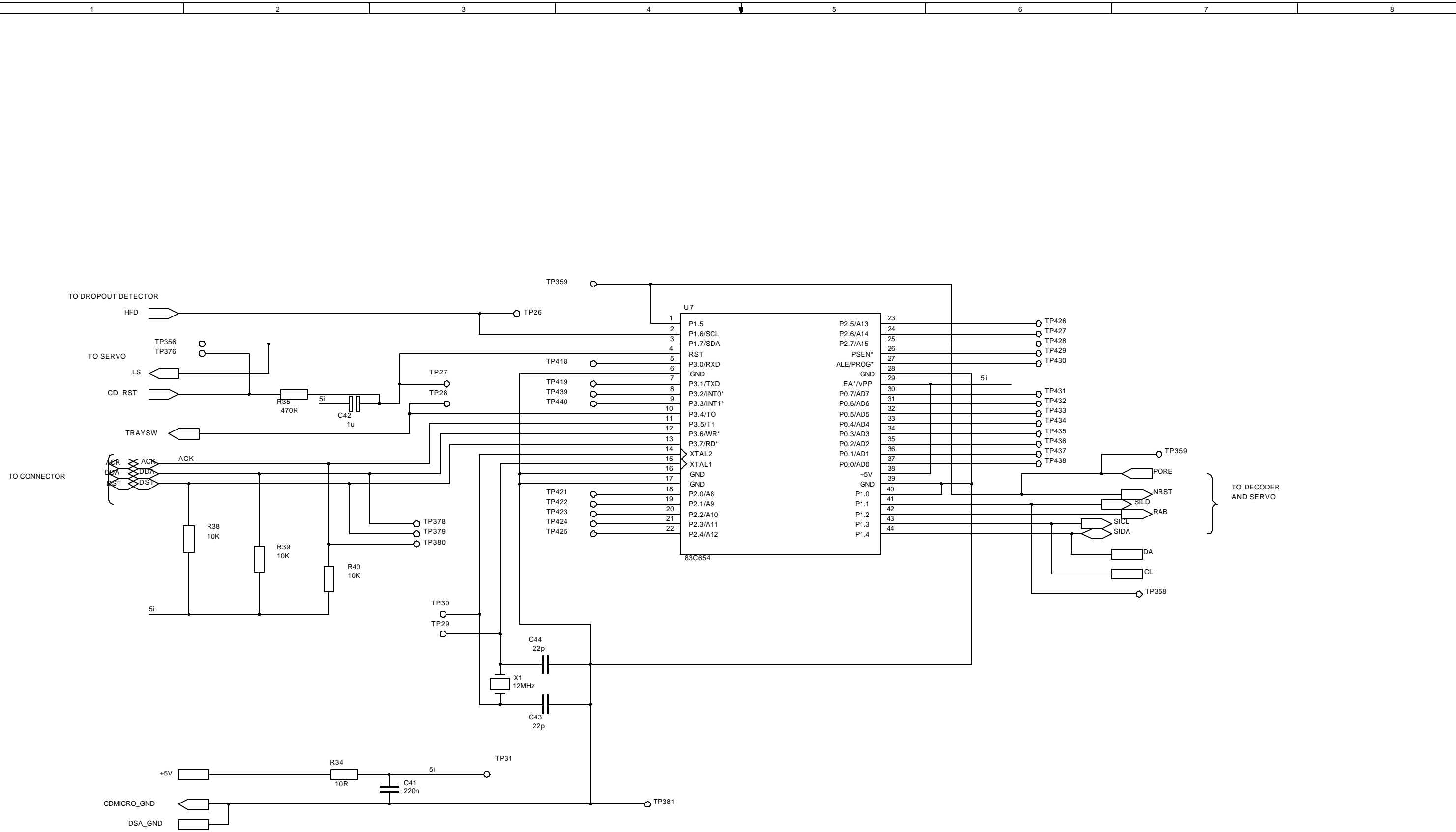


| REV | REVISION DESCRIPTION | DATE | APPROVED |
|-----|-------------------------|----------|----------|
| A | PROD. REL. PER ECO 1728 | | |
| B | REVISED. PER ECO 1729 | 10/27/94 | S. SWAMY |
| C | REVISED. PER ECO 1761 | | |



THIS DOCUMENT CONTAINS PROPRIETARY INFORMATION WHICH SHALL NOT BE REPRODUCED, TRANSFERRED TO OTHER DOCUMENTS, DISCLOSED TO OTHERS, USED FOR MANUFACTURING OR ANY OTHER PURPOSE WITHOUT THE WRITTEN AUTHORIZATION OF ATARI.

| | | | |
|-----------|------------------------|--|---------------------------|
| 700037 | JAGCDROM | Atari Corporation 1196 Borregas Avenue Sunnyvale, CA 94089 | |
| NEXT ASSY | USED ON ORIGINAL MODEL | Title JAGCDROM.SCH | Rev C |
| | | Size B | Document Number 500449 |
| | | Date: Saturday, December 30, 2000 | Sheet 1 of 7 |

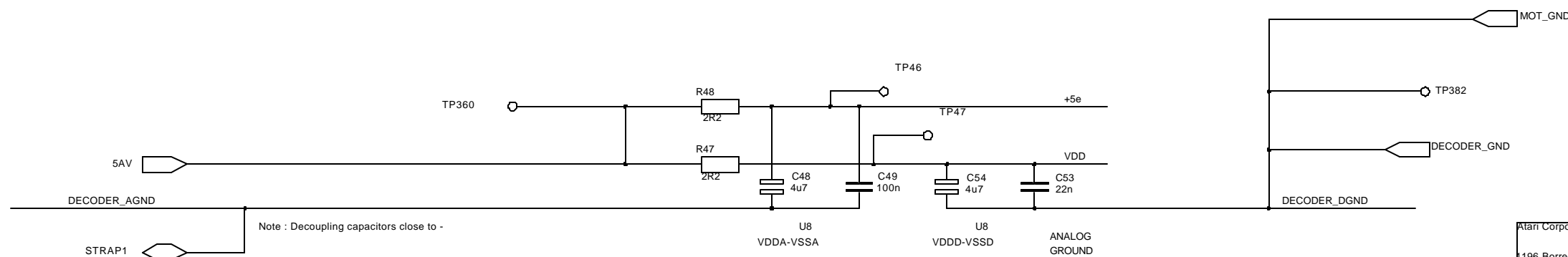
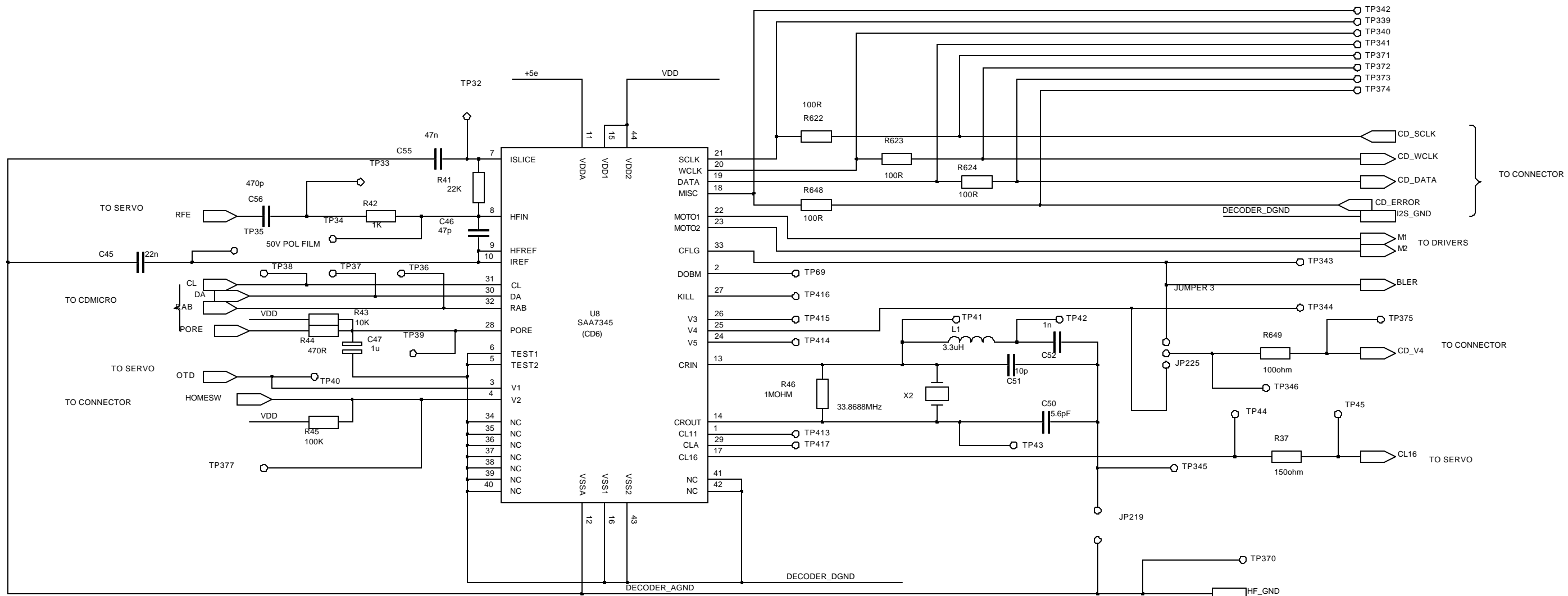


Note : Decoupling capacitor (C41) must be close to uP (U7)

Atari Corporation
 1196 Borregas Avenue
 Sunnyvale, CA 94089

THIS DOCUMENT CONTAINS PROPRIETARY INFORMATION WHICH SHALL NOT BE REPRODUCED, TRANSFERRED TO OTHER DOCUMENTS, DISCLOSED TO OTHERS, USED FOR MANUFACTURING OR ANY OTHER PURPOSE WITHOUT THE WRITTEN AUTHORIZATION OF ATARI.

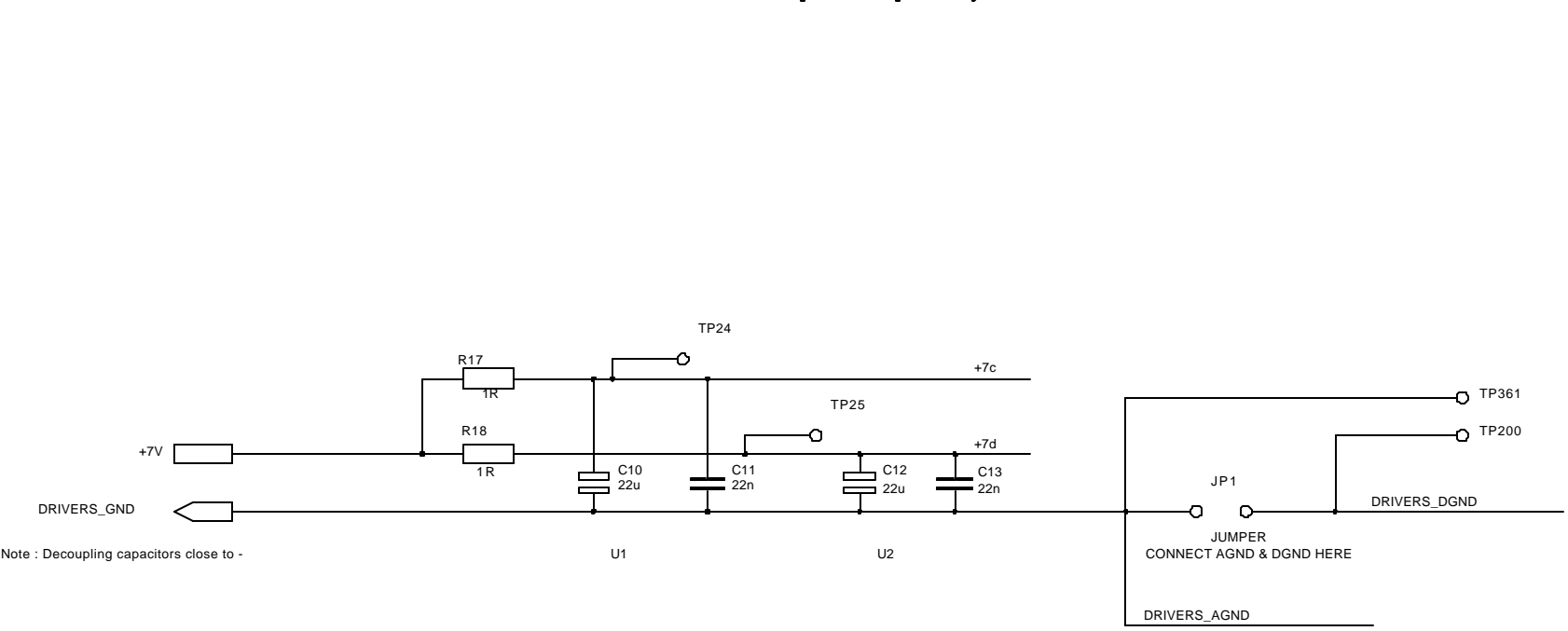
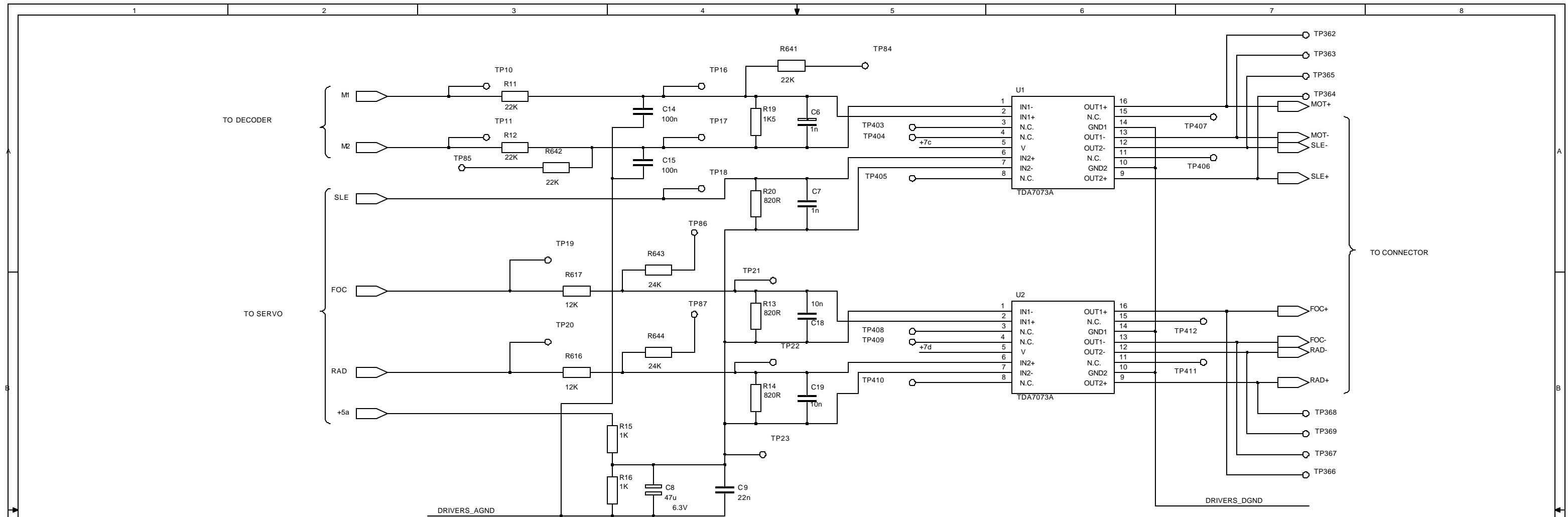
| | | | |
|-----------------------------------|------------------------|----------------------|---------------------------|
| 700037 | JAGCDROM | Title CDMICRO.SCH | |
| NEXT ASSY | USED ON ORIGINAL MODEL | Size B | Document Number 500449 |
| Date: Saturday, December 30, 2000 | | Rev C | Sheet 5 of 7 |



Note : Decoupling capacitors close to -

THIS DOCUMENT CONTAINS PROPRIETARY INFORMATION WHICH SHALL NOT BE REPRODUCED, TRANSFERRED TO OTHER DOCUMENTS, DISCLOSED TO OTHERS, USED FOR MANUFACTURING OR ANY OTHER PURPOSE WITHOUT THE WRITTEN AUTHORIZATION OF ATARI.

| | | | |
|-----------|------------------------|---|---------------------------|
| 700037 | JAGCDROM | Atari Corporation 196 Borregas Avenue Sunnyvale, CA 94089 | |
| NEXT ASSY | USED ON ORIGINAL MODEL | Title DECODER.SCH | Rev C |
| | | Size B | Document Number 500449 |
| | | Date: Saturday, December 30, 2000 | Sheet 6 of 7 |

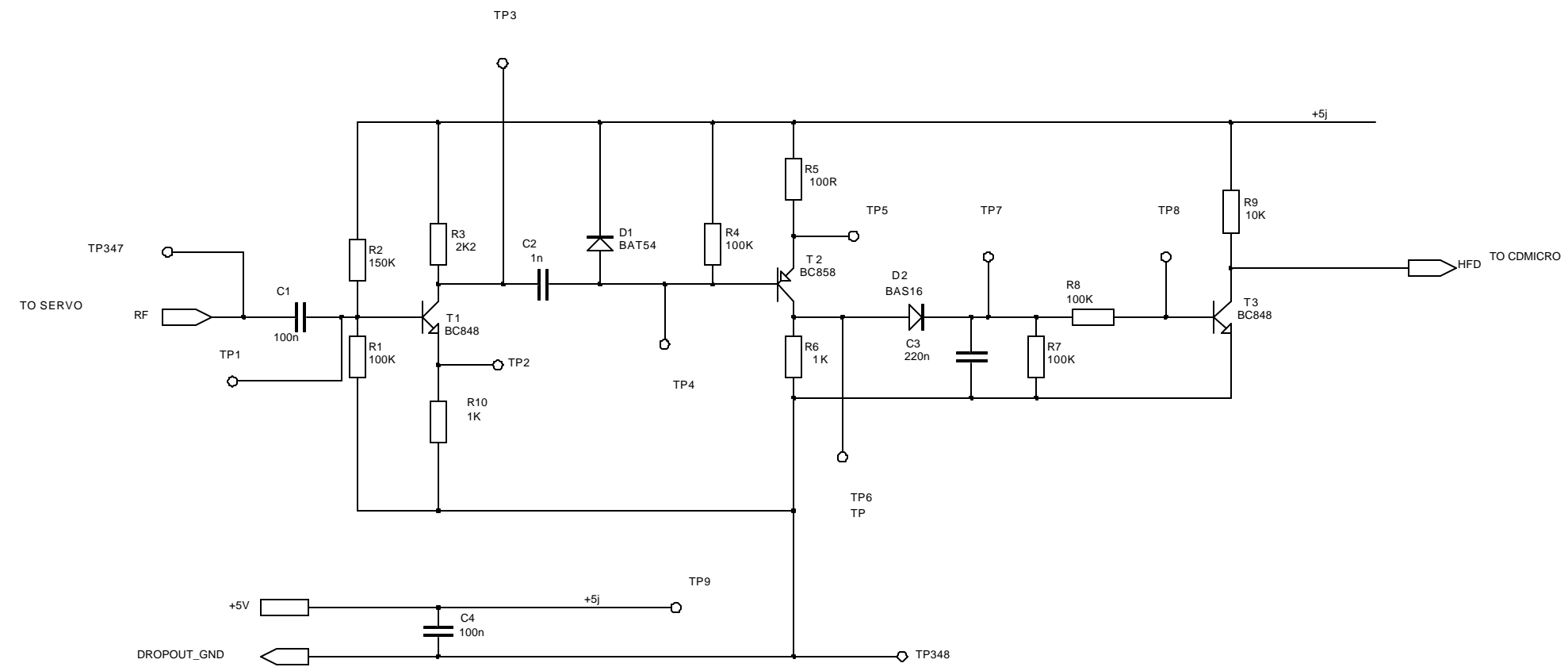


Note : Decoupling capacitors close to -

Atari Corporation
 1196 Borregas Avenue
 Sunnyvale, CA 94089

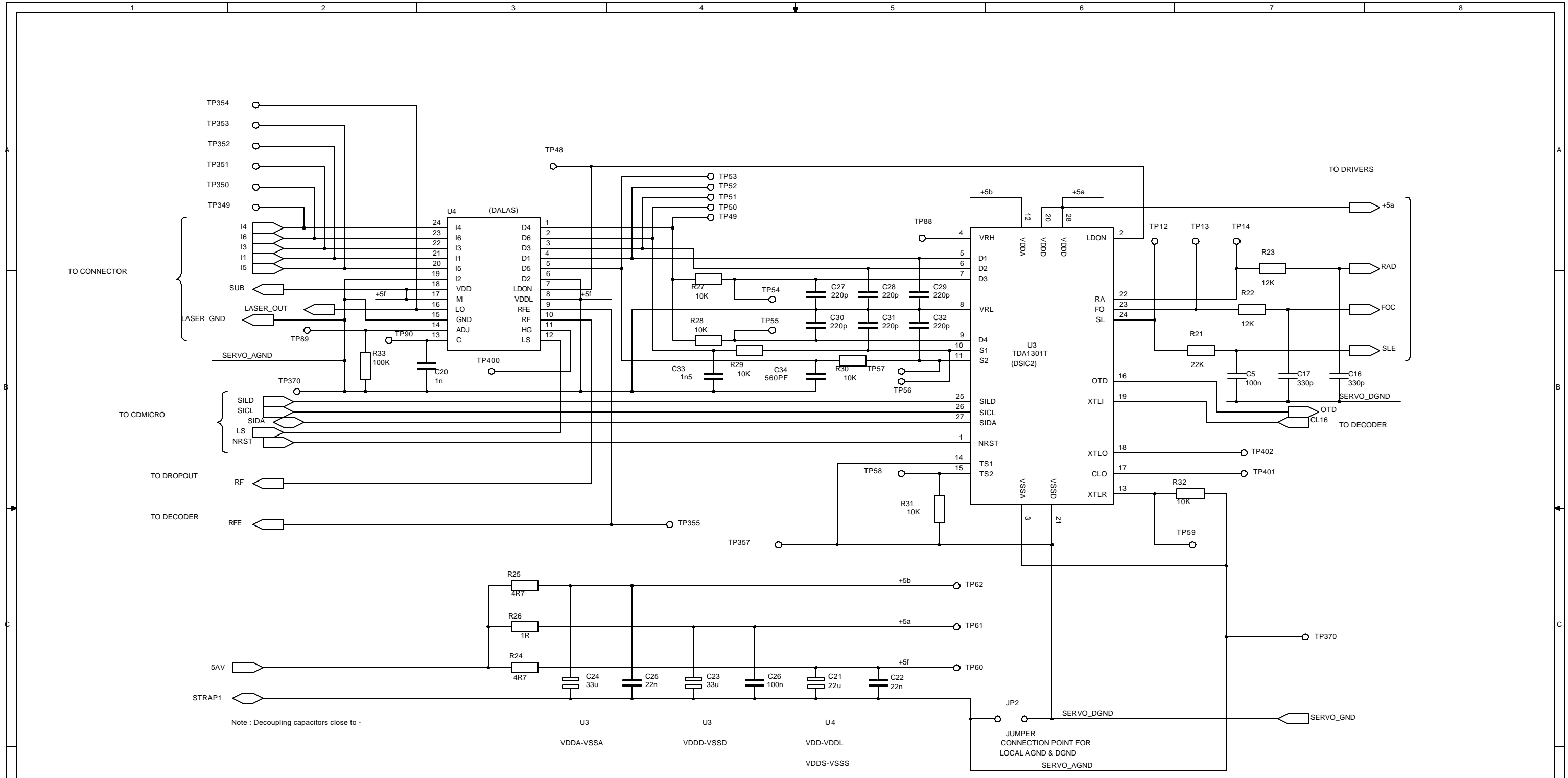
THIS DOCUMENT CONTAINS PROPRIETARY INFORMATION WHICH SHALL NOT BE REPRODUCED, TRANSFERRED TO OTHER DOCUMENTS, DISCLOSED TO OTHERS, USED FOR MANUFACTURING OR ANY OTHER PURPOSE WITHOUT THE WRITTEN AUTHORIZATION OF ATARI.

| | | | |
|-----------|---------------------------|--------------------------------------|---------------------------|
| 700037 | JAGCDROM | Title DRIVERS.SCH | |
| NEXT ASSY | USED ON ORIGINAL MODEL | Size B | Document Number 500449 |
| | | Date: Saturday, December 30, 2000 | Rev C |
| | | Sheet 4 | of 7 |



THIS DOCUMENT CONTAINS PROPRIETARY INFORMATION WHICH SHALL NOT BE REPRODUCED, TRANSFERRED TO OTHER DOCUMENTS, DISCLOSED TO OTHERS, USED FOR MANUFACTURING OR ANY OTHER PURPOSE WITHOUT THE WRITTEN AUTHORIZATION OF ATARI.

| | | | | | |
|-----------|--|--------------------------------------|--|--|--|
| 700037 | | JAGCDROM | | Atari Corporation 1196 Borregas Avenue Sunnyvale, CA 94089 | |
| NEXT ASSY | | USED ON ORIGINAL MODEL | | Title DROPOUT.SCH | |
| | | Size B | | Document Number 500449 | |
| | | Date: Saturday, December 30, 2000 | | Rev C | |
| | | | | Sheet 2 of 7 | |



Note : Decoupling capacitors close to -

U3 VDDA-VSSA
 U3 VDDD-VSSD
 U4 VDD-VDDL
 U4 VDDS-VSSS

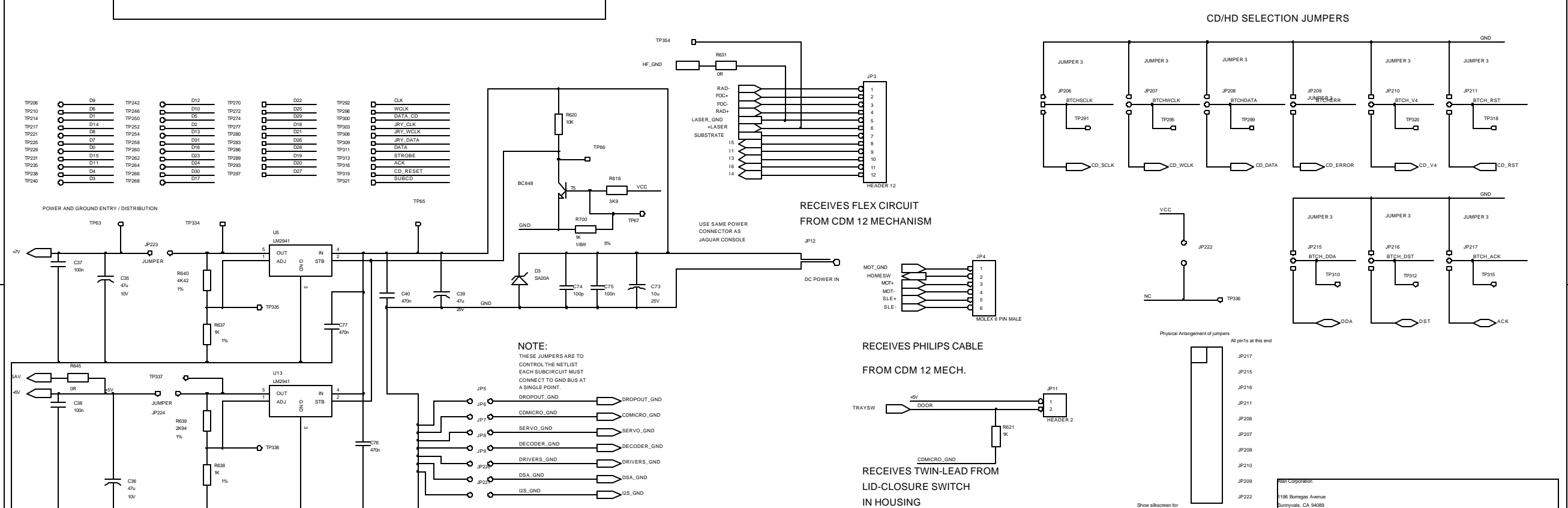
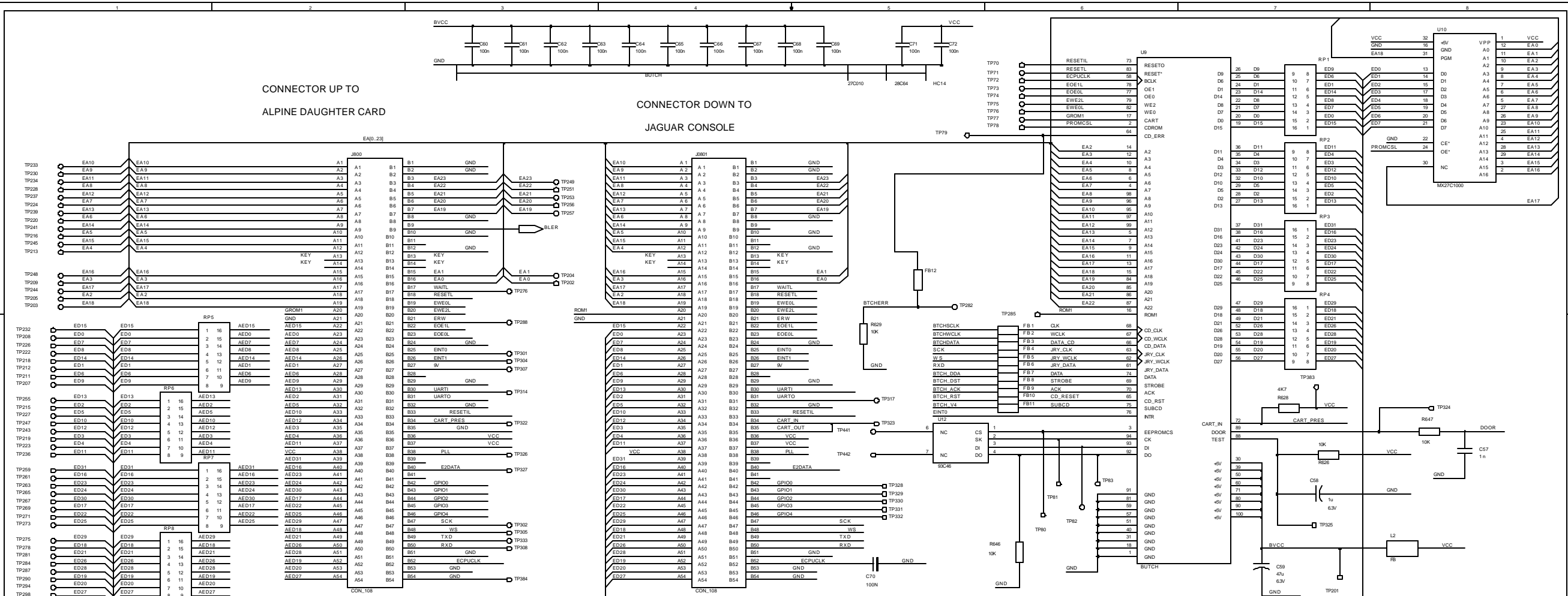
JP2
 JUMPER CONNECTION POINT FOR LOCAL AGND & DGND SERVO_AGND

Atari Corporation
 1196 Borregas Avenue
 Sunnyvale, CA 94089

THIS DOCUMENT CONTAINS PROPRIETARY INFORMATION WHICH SHALL NOT BE REPRODUCED, TRANSFERRED TO OTHER DOCUMENTS, DISCLOSED TO OTHERS, USED FOR MANUFACTURING OR ANY OTHER PURPOSE WITHOUT THE WRITTEN AUTHORIZATION OF ATARI.

| | | | | |
|-----------|------------------------|-------|-----------------------------|------------------------|
| 700037 | JAGCDROM | Title | SERVO.SCH | |
| NEXT ASSY | USED ON ORIGINAL MODEL | Size | B | Document Number 500449 |
| | | Date: | Saturday, December 30, 2000 | Sheet 3 of 7 |
| | | Rev | C | |

OTHER DOCUMENTS, DISCLOSED TO OTHERS, USED FOR MANUFACTURING OR ANY OTHER PURPOSE WITHOUT THE WRITTEN AUTHORIZATION OF ATARI.



| | | | |
|--|------------------------|------------------------------|-----------------------------------|
| THIS DOCUMENT CONTAINS PROPRIETARY INFORMATION WHICH SHALL NOT BE REPRODUCED, TRANSFERRED TO OTHER DOCUMENTS, DISCLOSED TO OTHERS, USED FOR MANUFACTURING OR ANY OTHER PURPOSE WITHOUT THE WRITTEN AUTHORIZATION OF ATARI. | | WRTN AUTHORIZATION OF ATARI: | |
| 700026 | JAGUAR | 86 | CONN. SCH. CONNECTORS & POWER |
| NEXT ASSY | USED ON ORIGINAL MODEL | 87 | Document Number 80049 |
| | | 88 | Issue Saturday, December 31, 2000 |
| | | 89 | Sheet 7 of 7 |